

480 Top


Automotive Equipment



Automatic “Lever-Less” tyre changer conceived for industry professionals

It can work on **all types of wheels from 10” to 26”**



 Automatic
Lever-Less
Tyre Changers



Ideal to handle particularly tough or low profile tyres such as «Run-Flat».

TECO 480 Top

Automotive Equipment

Automatic «Lever-Less» tyre changer, new in its **innovative and unique concept**, specifically designed for **industry professionals** and suitable to handle oversized and heavy car and van wheels having rim from **10" to 26"**.

The new **«Top Line»** product range, clearly identified by the yellow head plastic cover, adds to the traditional, reliable and economically convenient **turntable clamping system**, an **extra-rigid vertical post** equipped with the **Teco patented automatic «Lever-Less» mounting head**.

TECO 480 Top is standard supplied with the new and **patented automatic device TPH**, which assists the operator to easily mount and demount particularly tough or low profile tyres such as **«Run-Flat»**. The adoption of this device, coupled with the optional accessories UMA and US TPH, makes this machine ideal to handle also the largest custom bike and Harley wheels.

Standard supplied in **2 speed** version with 2-speed turntable (only for 3-phase models), TECO 480 Top is also available with the tubeless inflating device (**t.i. version**) and in configuration with the motoinverter (**MI version**).



Geprüft
nach wdk-Montage-/
Demontageanleitung
TPH- u. Runflat-Reifen
Wirtschaftsverband der
deutschen Kautschukindustrie e.V.

1 AUTOMATIC «LEVER-LESS» MOUNTING HEAD

Patented automatic system equipped with plastic protections controlled by an on-purpose joystick.

Thanks to an easy, quick and automatic demounting procedure, no effort is required from the operator side without any risk of rim scratches or tyre damages.

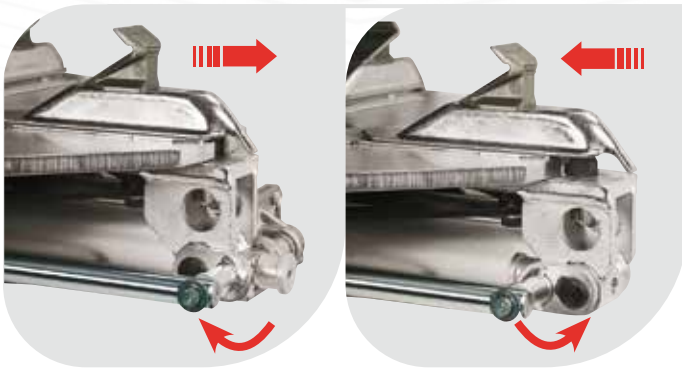




2 VERTICAL POST

Designed for **extra heavy duty purposes** and equipped with automatic swing arm movement and triple regulation system for easy maintenance activity.

To achieve a better level of safety and accuracy, the working arm is pneumatically controlled and the horizontal arm is equipped with a **double locking system** and with rollers to improve the fluidity of its movement.



3 SELF-CENTERING TURNTABLE

The **Teco 480 Top** has a **new-concept turntable** with mechanism designed to assure high performance over time.

In spite of the breadth of its working range (**10"- 26"**), the turntable is compact and has **2 working positions**: the first from **10" to 24"**, the second from **13" to 26"**.

4 BEAD BREAKING SYSTEM



Bead breaker arm equipped with high efficiency double acting cylinder and with a Teco **patented system** which allows exactly the **right position no matter the wheel diameter or width**, thus improving the accuracy of bead breaking operations.

Also the **wheel support is adjustable in 2 different positions**.



5 AUTOMATIC AUXILIARY DEVICE TPH

Standard supplied patented automatic help arm, which assists the operator to easily mount and demount particularly tough or low profile tyres such as **«Run-Flat»**.

This new device is equipped with a **patented** bead-lifter tool, performing an automatic positioning system, which allows the **«Lever-Less»** head to handle whatever tyre present on the international markets.



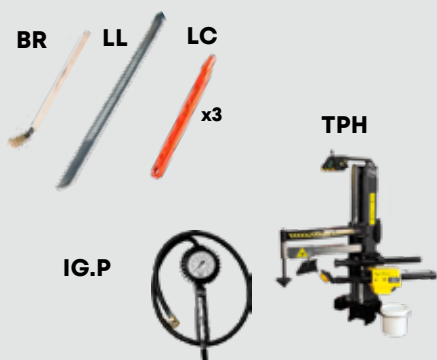
TECO 480 Top

Automotive Equipment



Automatic Lever-Less Tyre Changers

STANDARD ACCESSORIES



RECOMMENDED ACCESSORIES



PLS2 - Pneumatic lift complete with roller rest having maximum working capacity of 60 kg (135 lbs)



UMA - Motorcycle adapters having clamping capacity from 5" to 27" (effective tool working range on TECO 480 Top with UMA 10"-27"). To be used with US TPH



US TPH - Universal spacer for TPH arm to be used with optional adapter kit UWA24, UMA and CRA



KIT AI - Lifting disc to prevent tyre lower re-beading. To be assembled on TPH floating arm



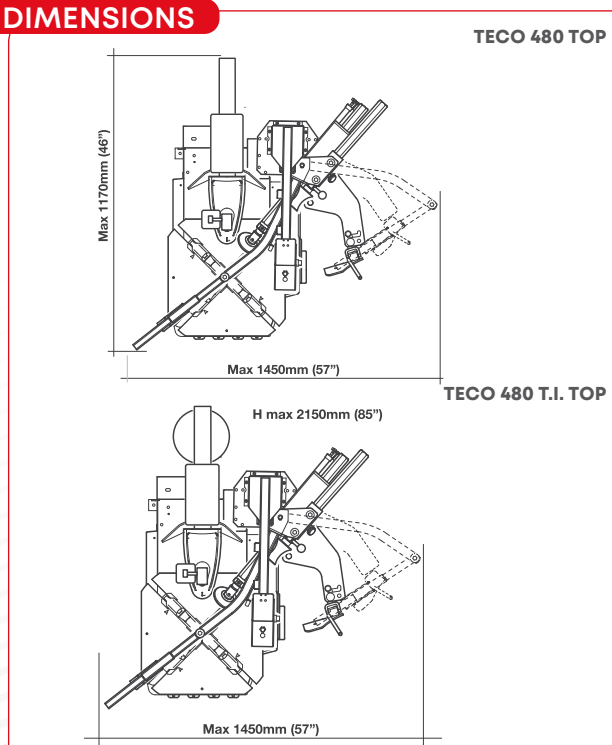
HPG-RF - Plastic bead presser clamp for Run Flat tyres.

For other optional accessories, refer to separate catalogue

TECHNICAL DATA

Clamping capacity	10" - 26"
External clamping capacity	10" - 24"
Internal clamping capacity	13" - 26"
Max wheel diameter	1040 mm (41")
Max wheel width	14"
Bead breaker force	2900 Kgf (6395 lbf)
Turntable speed	8,5 rpm / 6-15 (2V)
Noise level	< 70 ± 3 dB(A)
Working pressure	8-10 Bar (116-145 psi)
3-phase el. motor	0,8-1,1 kW (1,1-1,5 Hp)
1-phase el. motor	0,75 kW (1,0 Hp)
Net weight	395 Kg (870 lbs)
Net weight - t.i. version	410 Kg (905 lbs)

DIMENSIONS



The manufacturer reserves the right to modify the features of its products at any time.

Cod. DPTC000463_09_2023



NEXION SPA - ITALY -
www.tecoautomotive.com - tecco@teco.it

